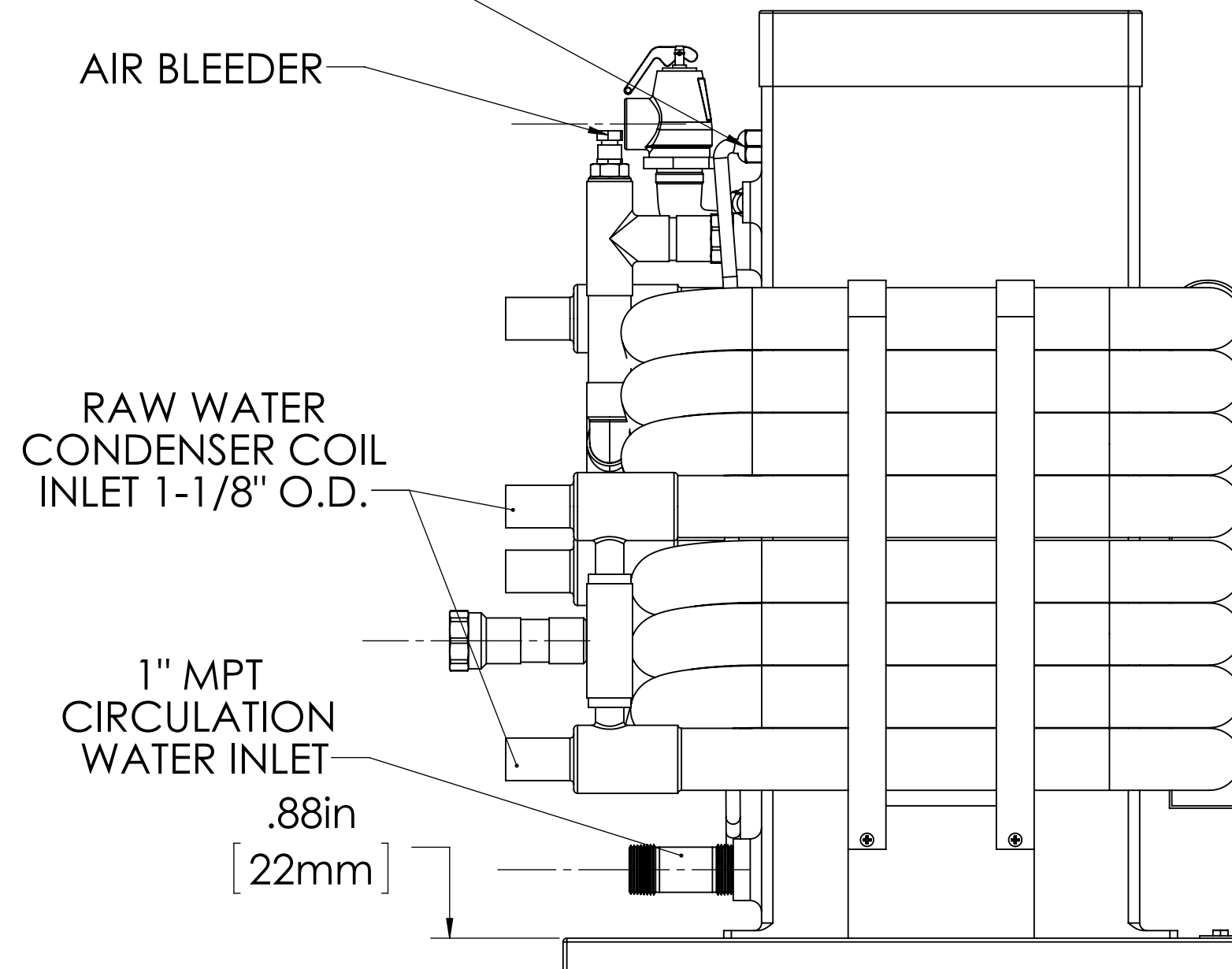
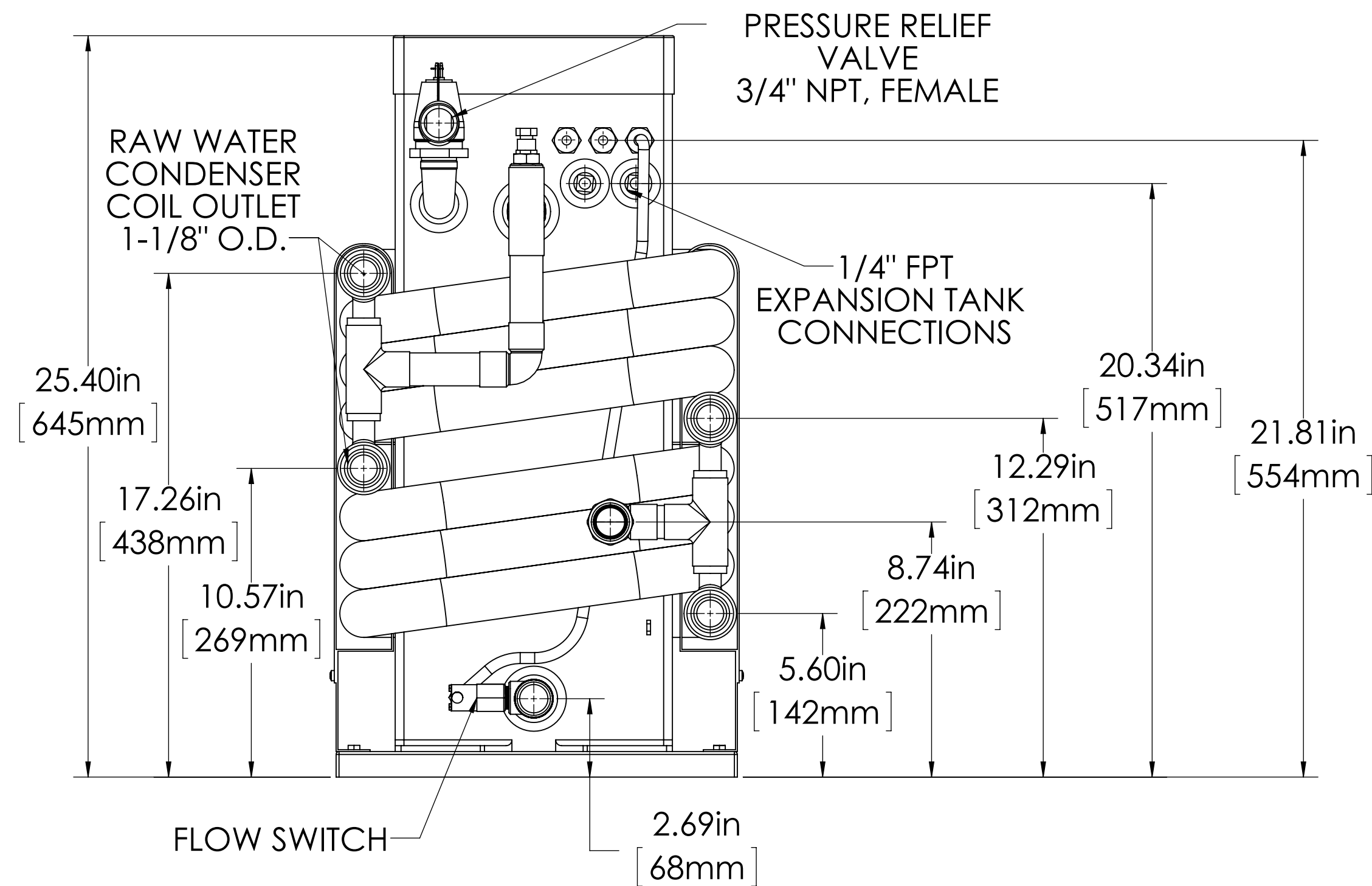


FRONT

ELECTRICAL CONNECTIONS

SIDE



DRY WEIGHT: 130 LBS [58.96 KG]

PROPRIETARY AND CONFIDENTIAL
THE INFORMATION CONTAINED IN THIS DRAWING IS THE SOLE PROPERTY OF TECHNICALD. ANY REPRODUCTION IN PART OR AS A WHOLE WITHOUT THE WRITTEN PERMISSION OF TECHNICALD IS PROHIBITED.

UNLESS OTHERWISE SPECIFIED:		NAME	DATE
DIMENSIONS ARE IN INCHES		MCE	12/04/2012
TOLERANCES:		CHECKED	
FRACTIONAL ±		ENG APPR.	
ANGULAR: MACH ±		MFG APPR.	
BEND ±		Q.A.	
TWO PLACE DECIMAL ±		COMMENTS:	
THREE PLACE DECIMAL ±			
INTERPRET GEOMETRIC TOLERANCING PER:	FINISH		
MATERIAL			
NEXT ASSY	USED ON		
APPLICATION	DO NOT SCALE DRAWING		



TITLE: LOAD BANK

SIZE DWG. NO. REV
C SM90065 1

SCALE: 1:8 WEIGHT: SHEET 1 OF 1